

Thermowell

We supply thermowells of various styles and dimensions suitable for various applications. Users can specify the types of stainless steel or alloy for the specific deep hole drilling thermowell.

Style of thermowell:

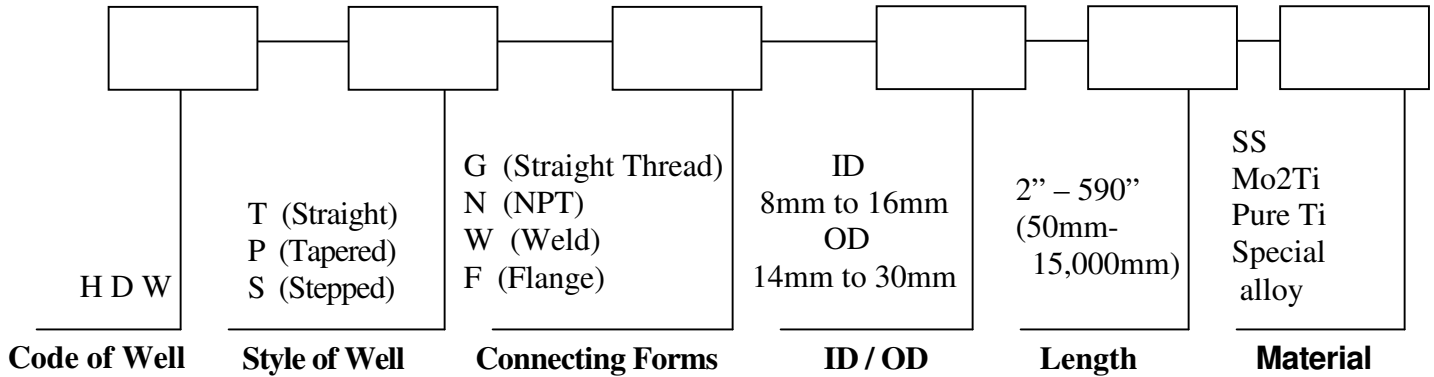
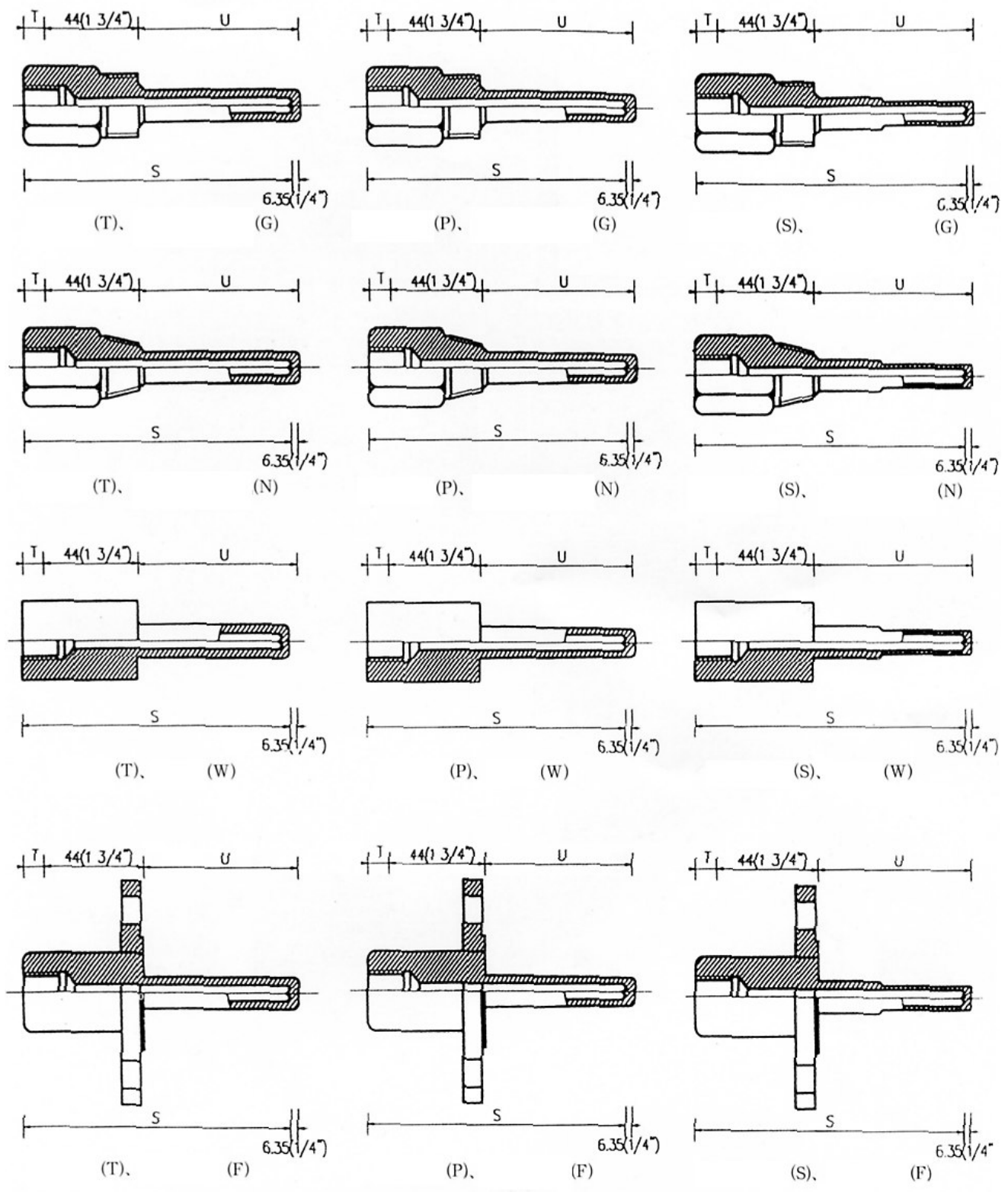


Table 9 Specifications of Thermowell

Pipe Style	ID (mm)	OD (mm)	Length (mm)	Material
Machined from Solid Metal Rod	8 to 16	14 to 30	< = 1000	SS
				Mo2Ti
				Pure Ti
				Special Alloy
Seamless Pipe	8 to 16	14 to 30	150 to 2000 Special Length Available	SS
				Mo2Ti
				Pure Ti
				Special Alloy

Styles of Thermowell



U: Immersion Length into Process
 T: Lagging Length
 S (L): Thermowell Length