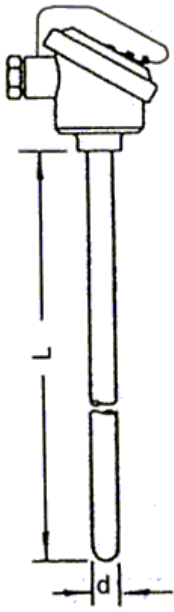


Armored Thermometer with SS Thermowell / Integral Temperature Transmitter

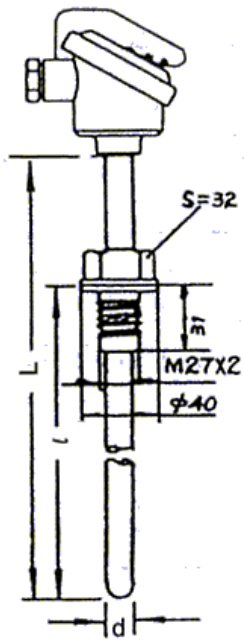
W 1 2 3 - 4 5 6 7 - 8 P / T 9 (P - Stainless steel connection head)

Sensor Category	
1	R TC
	Z RTD
Type	
2	K K Thermocouple 0~800 °C (0~1000 °C)
	E E Thermocouple 0~600 °C
	T T Thermocouple -40~350 °C
	J J Thermocouple -40~750 °C
	P Pt100 RTD -200~500 °C
	C Cu50 RTD -50~100 °C (Dis-armored)
Single or Dual-elements	
3	1 Single-Element
	2 Dual-Elements
Mounting	
4	1 No mounting fitting
	2 M27X2 Fixed Screw (For Straight Thermowell)
	3 Unfixed Flange
	4 Fixed Flange (Noted with Codes of Standards, DN or PN determined by User)
	5 L Stem with Unfixed Flange
	6 M33x2 Fixed Screw (For Tapered Thermowell)
	9 Special
Connection Head Style	
5	3 Water-proof, IP65
	4 Explosion-proof, dII BT4, IP65
	5 Explosion-proof, dII BT6, IP65
	6 Explosion-proof, dII CT6, IP65
	7 Intrinsic Safe, ia. ib, IP65
Special Requirement	
6	0 No special requirement
	F Corrosion-proof Style
	N Wear-proof Style
	9 For Special requirement
OD for Thermowell	
7	0 ϕ 16 mm (0.63")
	1 ϕ 12 mm (0.47")
	2 ϕ 20 mm (0.79") (For Tapered Thermowell)
	9 Special Size
Immersion Length	
8	0075 75 mm (2.95")
	0100 100 mm (3.94")
	0150 150 mm (5.91")
	0200 200 mm (7.87")
	0250 250 mm (9.84")
	0300 300 mm (11.81")
	0400 400 mm (15.75")
	0500 500 mm (19.69")
	0750 750 mm (29.53")
	1000 1000 mm (39.37")
	XXX Special requirement
Span of transmitter	
9	0 -50 °C ~ 50 °C
	1 0~100 °C
	2 0~200 °C
	3 0~300 °C
	4 0~400 °C
	5 0~500 °C
	6 0~1000 °C
	9 Special requirement
	S ₁ -200~1760 °C Smart HART Communicator
	S ₂ -200~1760 °C Smart, HART communicator

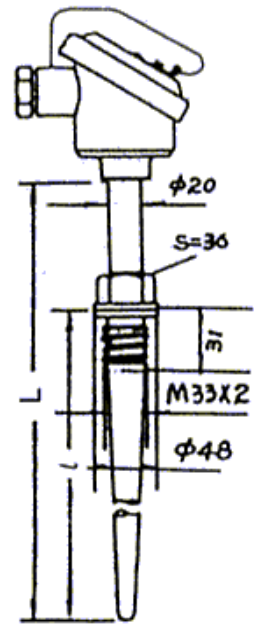
Without Mounting Fittings



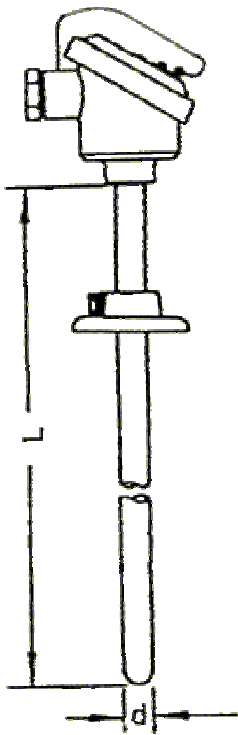
Fixed Screw
(For Straight Thermowell)



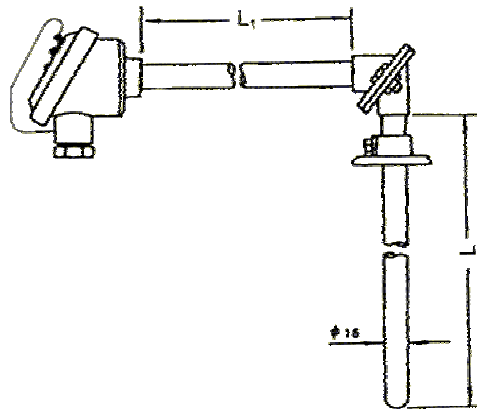
Unfixed Flange
(For Tapered Thermowell)



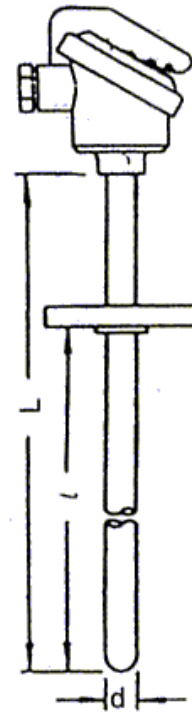
Unfixed Flange



L Stem with Unfixed Flange



Fixed Flange



Unfixed Flange

