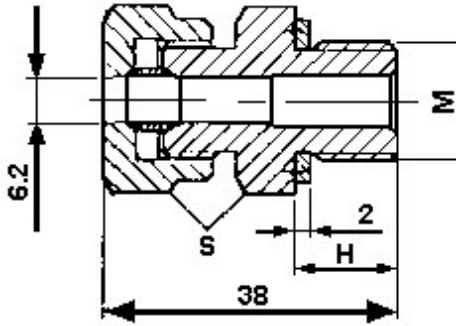
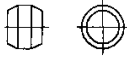


		Sensor Category	
1	R	TC	
	Z	RTD	
		Type	
2	K	K Thermocouple	0~800 °C (0~1000 °C)
	E	E Thermocouple	0~600 °C
	T	T Thermocouple	-40~350 °C
	J	J Thermocouple	-40~750 °C
	P	Pt100 RTD	-200~500 °C
	C	Cu50 RTD	-50~100 °C
		Single or Dual Element	
3	1	Single-Element	
	2	Dual-Element	
		Mounting	
4	0	M27X2 Fixed Screw	
	1	No mounting fitting	
	2	Fixed Ferrule with Screw (See the following drawings)	
	3	Unfixed Ferrule with Screw (See the following drawings)	
	4	Fixed Ferrule with Flange (See the following drawings)	
	5	Unfixed Ferrule with Flange (See the following drawings)	
	9	Custom Form	
		Connection Head Style	
5	3	Water-proof, IP65	
	4	Explosion-proof, d11BT4, IP65	
	5	Explosion-proof, d11BT6, IP65	
	6	Explosion-proof, d11CT6, IP65	
	7	Intrinsic Safe, ia, ib, IP65	
		Special Requirement	
6	0	No special requirement	
	9	for Special requirement	
		OD for Armored Sheath	
7	3	φ 3 mm (0.12")	
	4	φ 4 mm (0.16")	
	5	φ 5 mm (0.20")	
	6	φ 6 mm (0.24")	
	8	φ 8 mm (0.32")	
		Immersion Length	
8	0050	50 mm (1.97")	
	0075	75 mm (2.95")	
	0100	100 mm (3.94")	
	0150	150 mm (5.91")	
	0200	200 mm (7.87")	
	0250	250 mm (9.84")	
	0300	300 mm (11.81")	
	0400	400 mm (15.75")	
	0500	500 mm (19.69")	
	0750	750 mm (29.53")	
	1000	1000 mm (39.37")	
XXXX	Special requirement		
		Span of transmitter	
9	0	-50 °C ~ 50 °C	
	1	0~100 °C	
	2	0~200 °C	
	3	0~300 °C	
	4	0~400 °C	
	5	0~500 °C	
	6	0~1000 °C	
	9	Special requirement	
	S ₁	-200~1760 °C Smart	
	S ₂	-200~1760 °C Smart, HART communicator	

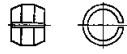
Screw with Ferrule



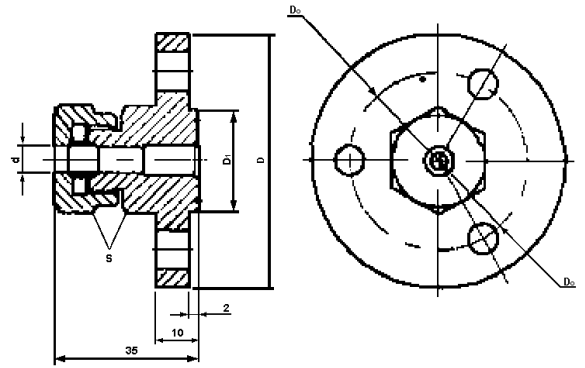
Fixed Ferrule



Unfixed Ferrule



Flange with Ferrule

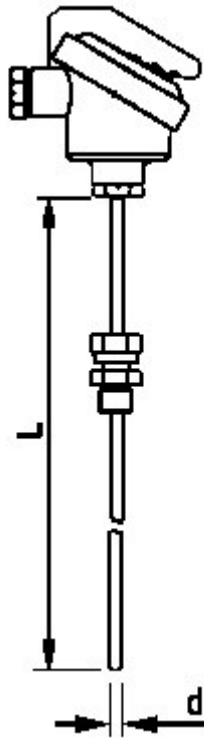


	$\phi 8$	$\phi 6$	$\phi 5$	$\phi 4$	$\phi 3$
M	M16 x 1.5		M16 x 1.5		
H	15		15		
S	19		22		

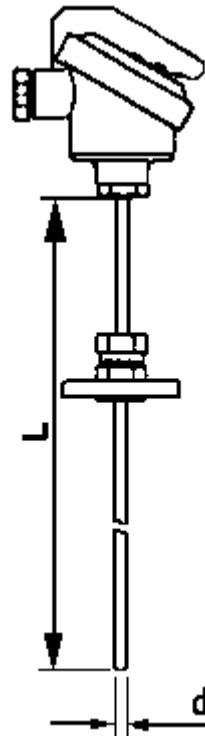
	$\phi 8$	$\phi 6$	$\phi 5$	$\phi 4$	$\phi 3$
D	$\phi 60$		$\phi 50$		
Do	$\phi 42$		$\phi 36$		
D₁	$\phi 24$		$\phi 20$		
d₀	$\phi 9$		$\phi 7$		
S	22		19		



Without Mounting Fittings



Screw with Fixed/Unfixed Ferrule



Flange with Fixed/Unfixed Ferrule