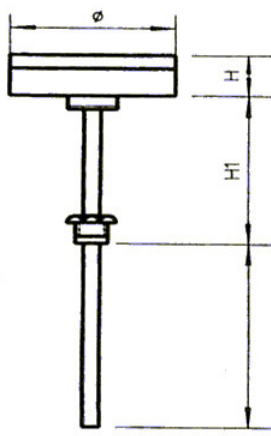
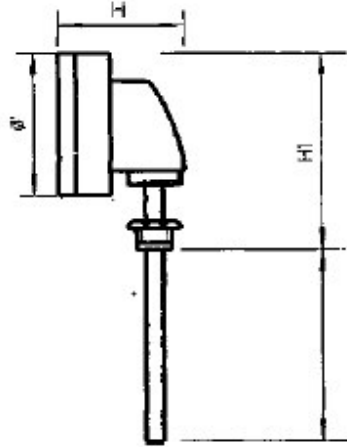


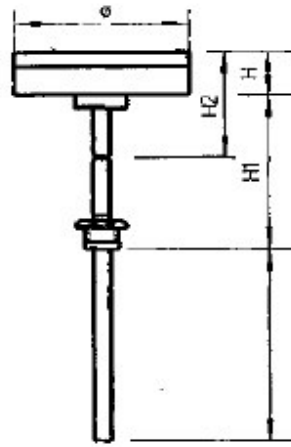
4. Shape & Size Diagram of bimetal thermometer



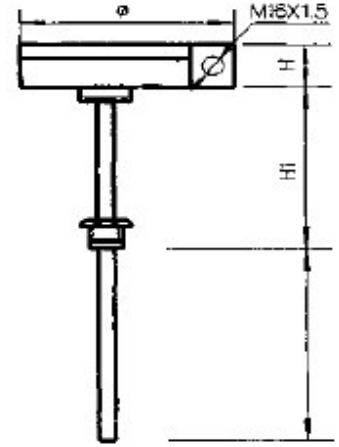
(A)
Core-extractable protective style
(Back connected)



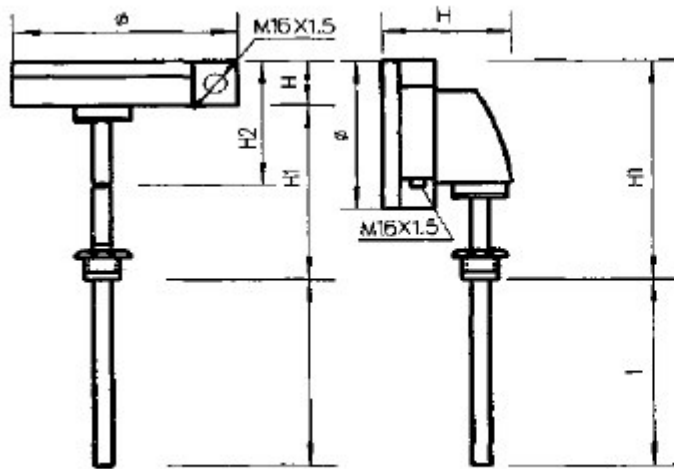
(B)
Core-extractable protective style
(Bottom connected)



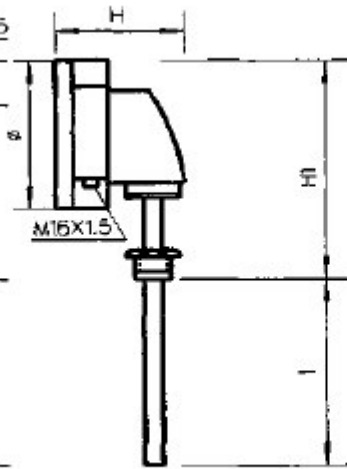
(C)
Core-extractable protective style
(Adjustable angle)



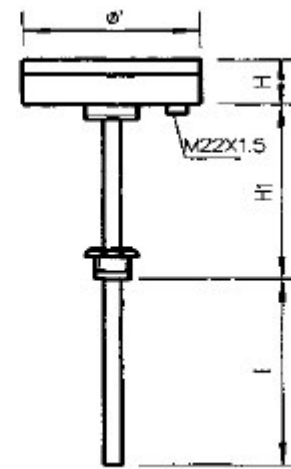
(D)
Gear style core-extractable type with
electrical switch (Back connected)



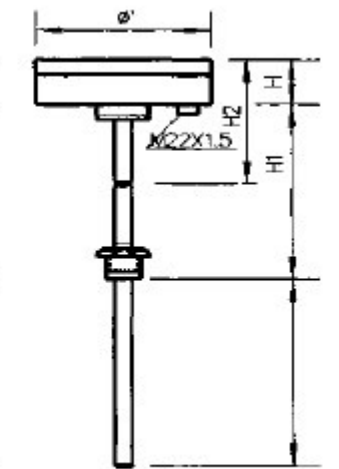
(E)
Gear style core-extractable type
with electrical switch
(Adjustable angle)



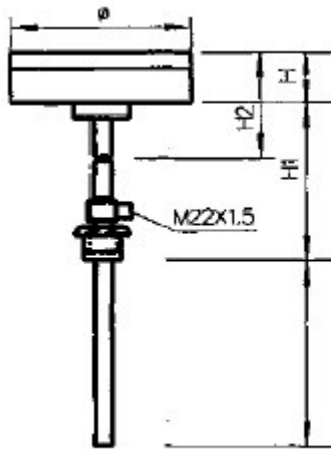
(F)
Gear style core-extractable
type with electrical switch
(Bottom connected)



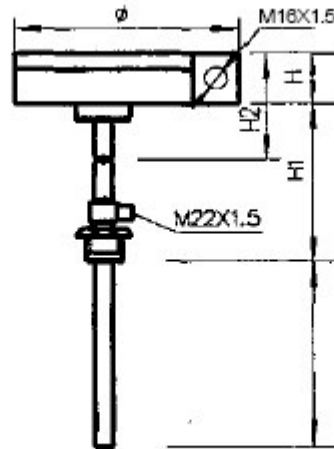
(G)
Gear style explosion-proof core-
extractable type with electrical
switch (Back connected)



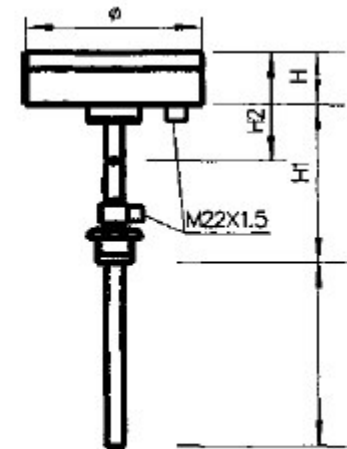
(H)
Gear style explosion-proof core-
extractable type with electro-
switch (Adjustable angle)



(I)
Bimetal together with RTD (couple) integral
thermometer (adjustable angle)



(J)
Bimetal together with RTD (couple)
integral thermometer with electrical
switch (adjustable angle)



(K)
Explosion-proof bimetal together with
RTD (couple) integral thermometer with
electrical switch (adjustable angle)